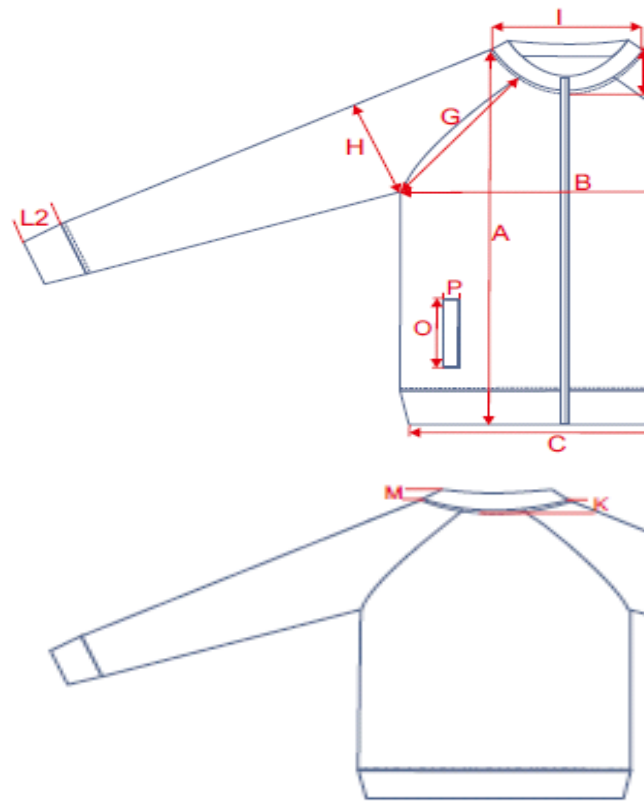


**TB859 (no.047B) Diamond Nylon Sweatjacket**

	Description		S
<b>A</b>	Length	cm	68
<b>B</b>	1/2 Chest Width	cm	49
<b>C</b>	1/2 Hem Width	cm	42
<b>D</b>		cm	
<b>E</b>	Sleeve Length	cm	79
<b>F</b>	1/2 Cuff Width	cm	9.5
<b>G</b>	1/2 Armhole Straight (Raglan)	cm	
<b>H</b>	1/2 Upper Arm Width	cm	20
<b>I</b>	Neckhole (seam to seam)	cm	17
<b>J</b>	Front Neckdrop (HSP to seam)	cm	9
<b>K</b>	Back Neckdrop (HSP to seam)	cm	2
<b>L1</b>	Hem Cuff Height	cm	5.5
<b>L2</b>	Sleeve Cuff Height	cm	5.5
<b>M</b>	Collar Height	cm	3
<b>N</b>		cm	
<b>O</b>	Pocket Length (Opening)	cm	17
<b>P</b>	Pocket Width (Flap)	cm	2
<b>Q</b>	Distance Pocket from Sideseam (Pocket Top)	cm	8.5
<b>R</b>	Distance Pocket from Sideseam (Pocket Bottom)	cm	7.5
<b>S</b>	Distance Pocket from Hem-Seam	cm	5
<b>Comments</b>			
<b>Fitting</b>			Regular Fit
<b>Article Description</b>			Jacket; Raglan outside, pock
<b>Fabric</b>			Nylon + Fleece
<b>Colors</b>			Black/Black, C

M	L	XL	XXL
70	72	74	76
52	55	57	60
45	48	51	54
81	83	85	87
10	10.5	11	11.5
21	22	23	24
17.5	18	19	20
9.5	10	10.5	11
2	2	2	2
5.5	5.5	5.5	5.5
5.5	5.5	5.5	5.5
3	3	3	3
17	18	18	19
2	2	2	2
9	9.5	10	10.5
8	8.5	9	9.5
5	5	5	5

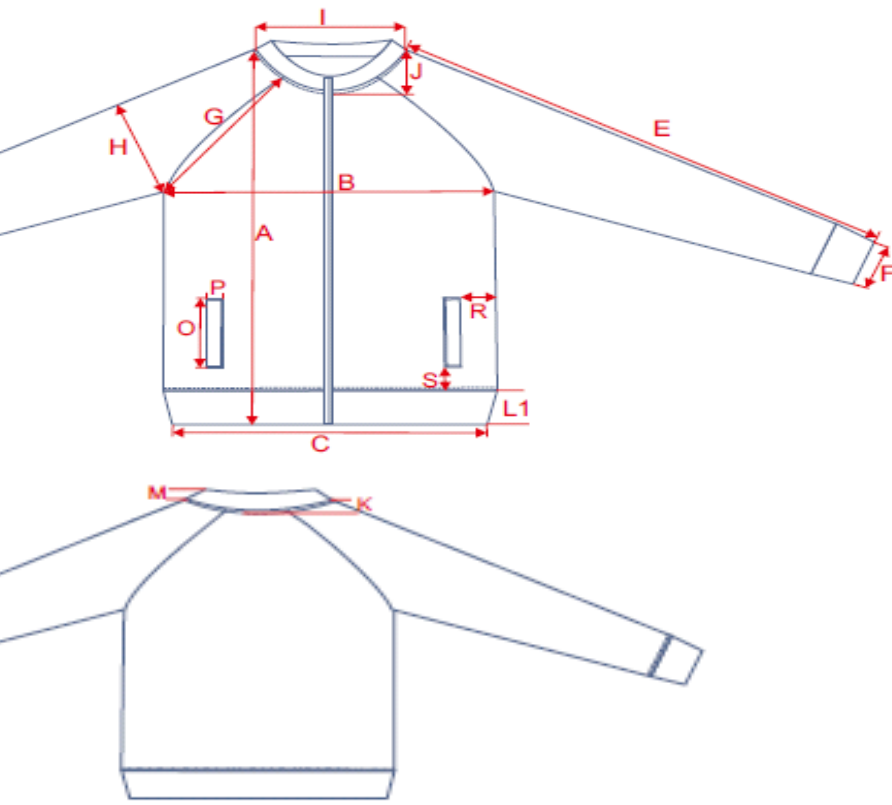


n; Rib-Cuffs at the sleeve-openings, neck and hem; sleeves have diamond stitching  
 ets at the front sides

ce, ca. 380 g/m<sup>2</sup>

Grey/Black

# URBAN CLASSICS



ng; zipper is stiched on