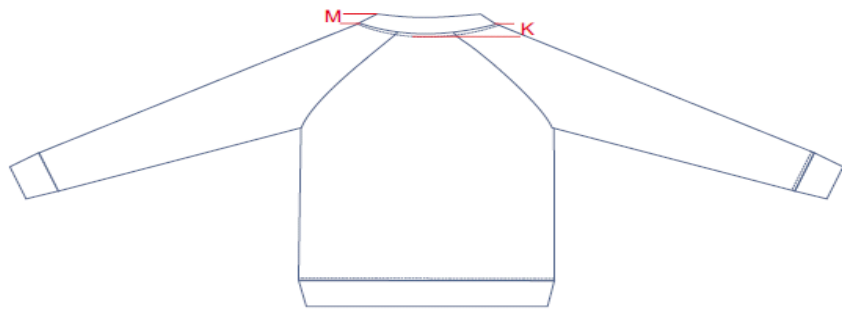
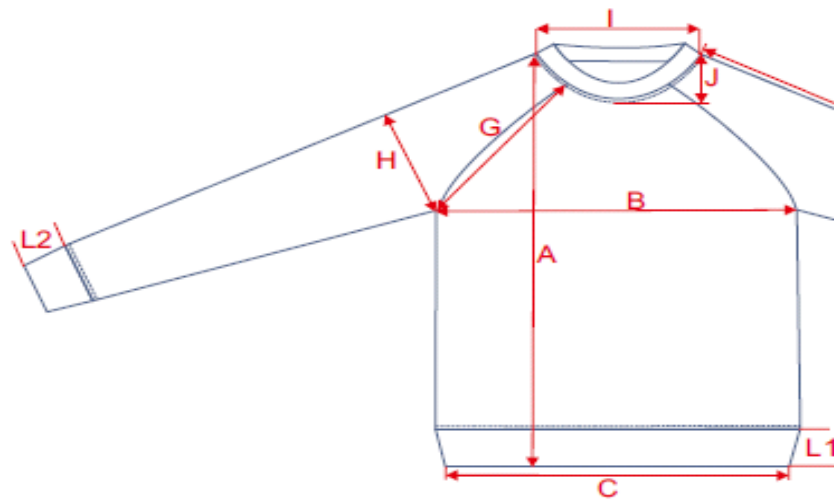


TB845 (no.028) Raglan Leather Imitation Crew

	Description		S	M
A	Length	cm	70	72
B	1/2 Chest Width	cm	51	54
	1/2 Waist (20cm under chest)	cm	46	49
C	1/2 Hem Width	cm	37	40
D		cm		
E	Sleeve Length	cm	77	79
F	1/2 Cuff Width	cm	9	9.5
G	1/2 Armhole Raglan Straight (seam to seam)	cm	29.5	30.5
H	1/2 Upper Arm Width	cm	21	22
	1/2 Elbow (distance 30cm from cuff)	cm	16.5	17.5
I	Neckhole (seam to seam)	cm	20	21
J	Front Neckdrop (HPS to seam)	cm	10	10.5
K	Back Neckdrop (HPS to seam)	cm	3	3
L1	Hem Cuff Height	cm	6	6
L2	Sleeve Cuff Height	cm	6	6
M	Neckcuff Height	cm	2	2
N		cm		
O		cm		
P		cm		
Q		cm		
R		cm		
S		cm		
Comments				
Fitting		Regular Fit		
Article Description		Crewneck, Raglan Style, rib		
Fabric		Fleece + Fake-Leather		
Color		Black/Black, Charcoal/Black		

L	XL	XXL
74	76	78
57	60	63
52	55	58
43	46	49
81	83	85
10.5	11.5	12.5
31.5	32.5	33.5
23	24	25
18.5	19.5	20.5
22	23	24
11	11.5	12
3	3	3
6	6	6
6	6	6
2	2	2



b-cuffs at the hem + sleeve-openings + neck, leather imitation sleeves
k

URBAN CLASSICS

