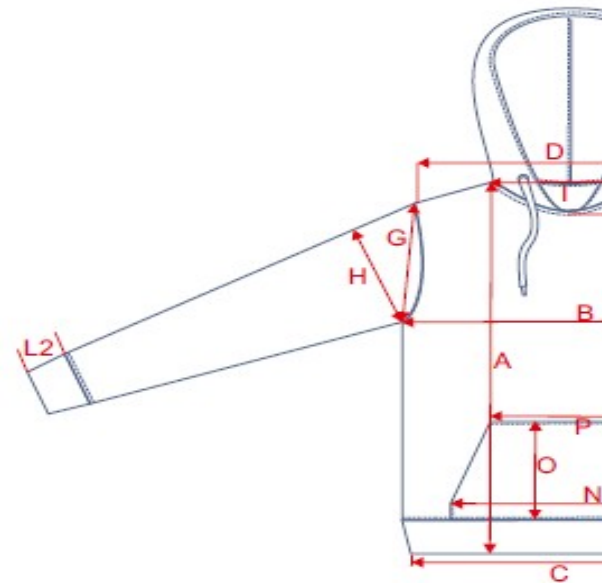


TB834 (no.102) High Neck Hoody

	Description		S
A	Length	cm	70
B	1/2 Chest Width	cm	51
C	1/2 Hem Width	cm	43
D	1/2 Shoulder Width	cm	43
E	Sleeve Length	cm	65
F	1/2 Cuff Width	cm	8.5
	1/2 Sleeve-opening Width (Fleece Fabric)	cm	10,5
G	1/2 Armhole Straight (seam to seam)	cm	22
H	1/2 Upper Arm Width	cm	19
I	Neckhole (seam to seam)	cm	30
J	Front Neckdrop (HSP to seam)	cm	11
	Back Neckdrop (HSP to seam)	cm	2
K1	Hood Width (10 cm from top)	cm	24,5
K2	Hood Height (shoulderseam to top)	cm	38
K3	Hood Height (Front)	cm	39,5
K4	Hood Width (Top)	cm	26,5
L1	Hem Cuff Height	cm	5
L2	Sleeve Cuff Height	cm	5
M	Pocket Opening	cm	15
N	Pocket Width Bottom	cm	34
O	Pocket Height	cm	19
P	Pocket Width Top	cm	24.5
Q	High Neck Width Top	cm	36
R	High Neck Height (center front)	cm	12.5
S		cm	
Comments			
Fitting			Regular Fit
Article Description			High Neck Hoody sleeve-opening
Fabric			63% cotton/37% polyester 190 g/m ²
Color			Black, Offwhite

M	L	XL	XXL
72	74	76	78
54	57	60	63
46	49	52	55
46	49	52	55
66	67	68	69
9	9,5	10	10,5
11	11,5	12	12,5
23	24	25	26
20	21	22	23
31	32	33	34
11.5	12	12.5	13
2	2	2	2
25	25,5	26	26,5
38	39	39	40
39,5	40,5	40,5	41,5
27	27,5	28	28,5
5	5	5	5
5	5	5	5
15	16	16	17
34	35	35	36
19	20	20	21
24.5	25.5	25.5	26.5
37	38	39	40
12.5	12.5	12.5	12.5

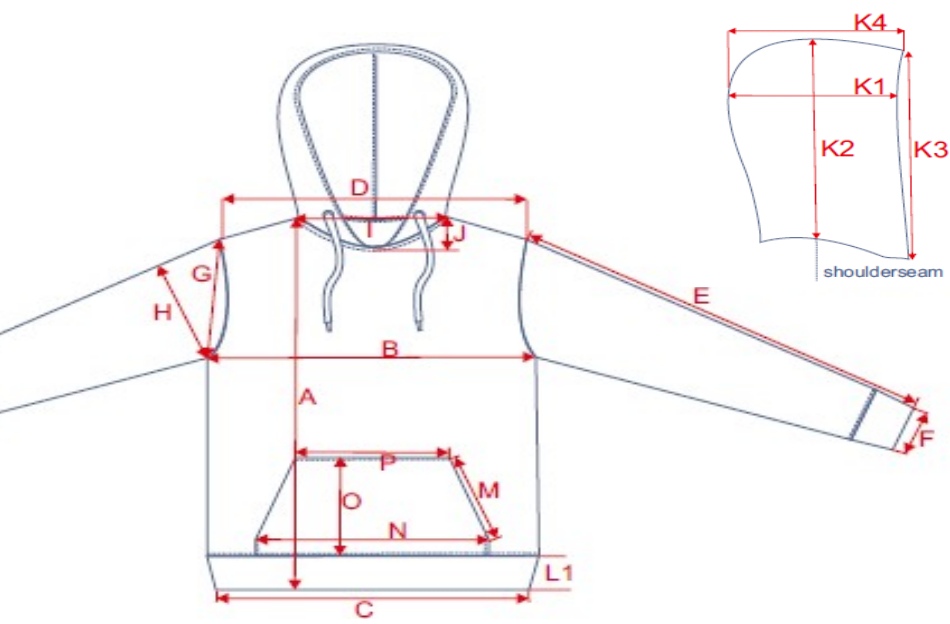


body, set-in style, drawstrings with shoe-laces-endings, kanguru-pocket, rib-cuff ;
 rags and hem

7% polyester, Fleece, ca. 300 g/m², inside brushed / Hood Lining: 100%cotton, Je

te, Grey, Black/White

URBAN CLASSICS



at the

ersey, ca.