

TB International

STYLE

TB1621

COLLECTION

UC

SEASON

SS17

SUPPLIER NO.

72503

GENDER

MEN

DATE

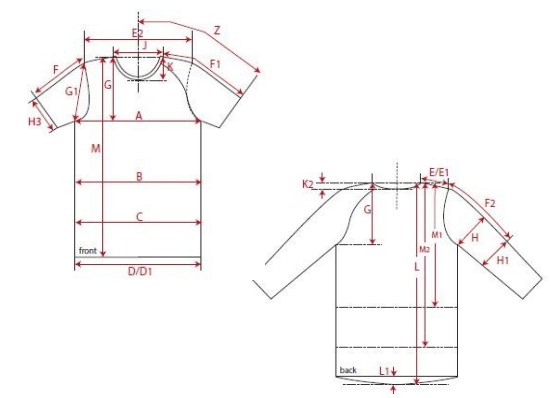
29-09-2016

SIGNATURE

AM

**MEASUREMENT CHART
SWEATS / PULLOVER
/ JACKETS**

Fertigmaße in cm für Größe measurements in cm for size	CODE	TOLERANCE (+/-)	XS	IS	S	IS	M	IS	L	IS	XL	IS	XXL	IS	3XL	IS	4XL	IS	5XL	IS	6XL	IS	
front length from HSP	M	1			66.00		68.00		70.00		72.00		74.00										
1/2 chest width	A	1			55.00		58.00		61.00		64.00		67.00										
1/2 hem width	D	1			42.00		45.00		48.00		51.00		54.00										
shoulder to shoulder	E2	1			44.00		47.00		50.00		53.00		56.00										



REMARK